



ETA-Danmark A/S  
Göteborg Plads 1  
DK-2150 Nordhavn  
Tel. +45 72 24 59 00  
Internet [www.etadanmark.dk](http://www.etadanmark.dk)

Authorised and notified  
according to Article 29 of  
the Regulation (EU)  
No 305/2011 of the  
European Parliament and of  
the Council of 9 March  
2011

MEMBER OF EOTA



## European Technical Assessment ETA-20/1127 of 2020/12/15

### I General Part

**Technical Assessment Body issuing the ETA and designated according to Article 29 of the Regulation (EU) No 305/2011: ETA-Danmark A/S**

**Trade name of the construction product:**

Rockwool Firepro® Pipe Collar CE

**Product family to which the above construction product belongs:**

Fire Stopping, Fire Sealing & Fire Protective Products.  
Fire Retardant Products

**Manufacturer:**

ROCKWOOL Limited  
Wern Tarw  
Pencoed  
CF35 6NY

**Manufacturing plant:**

E/089

**This European Technical Assessment contains:**

17 pages including 1 annex which form an integral part of the document

**This European Technical Assessment is issued in accordance with Regulation (EU) No 305/2011, on the basis of:**

EAD 350454-00-1104 -Fire Stopping and Fire Sealing Products-Penetration Seals:Issue September 2017

**This version replaces:**

-

**Translations of this European Technical Assessment in other languages shall fully correspond to the original issued document and should be identified as such.**

**Communication of this European Technical Assessment, including transmission by electronic means, shall be in full [except the confidential Annex(es) referred to above]. However, partial reproduction may be made with the written consent of the issuing Technical Assessment Body. Any partial reproduction has to be identified as such.**

## **1 Technical Description of the Product**

- 1) Rockwool Firepro® Pipe Collar CE is installed round combustible pipes to form a penetration seal used to reinstate the fire resistance performance of wall and floor constructions, where they have been provided with apertures for the penetration of combustible pipe services.
- 2) Rockwool Firepro® Pipe Collar CE include an intumescent component incorporated into a mild steel case to close any gaps and joints and provide a closure of combustible pipes when heated and to prevent the passage of fire.
- 3) Rockwool Firepro® Pipe Collar CE are supplied in assembled form, without fixings. The collar is wrapped around the pipe at the soffit or both faces of walls, depending on application. Fixing specifications are detailed in Annex A.
- 4) Rockwool Firepro® Pipe Collar CE can be used with FIREPRO® Acoustic Intumescent Sealant to seal the space between the combustible pipe and the aperture to close gap sizes as specified in Annex A.

## 2 Specification of The Intended Use In Accordance With The applicable European Assessment Document ( EAD)

- 1) The intended use of Rockwool Firepro® Pipe Collar CE is to reinstate the fire resistance performance of wall and floor constructions, where they are penetrated by various combustible pipe services.

The specific elements of construction that the system Rockwool Firepro® Pipe Collar CE may be used is as follows:

- |                 |   |
|-----------------|---|
| Flexible walls: | The wall must have a minimum thickness of 100 mm and comprise timber or steel studs line on both faces with minimum 2 layers of 12.5 mm thick, 'Type F' Gypsum boards according to EN 520. In timber stud walls, no part of the penetration seal shall be closer than 100mm to a stud, and minimum 100 mm of insulation of class A1 or A2 according to EN 13501-1, is provided within the cavity between the penetration seal and the stud. |
| Rigid walls:    | The wall must have a minimum thickness of 100 mm and comprise of concrete, aerated concrete or masonry, with a minimum density of 650 kg/m <sup>3</sup> .   |
| Rigid floor:    | The floor must have a minimum thickness of 150 mm and comprise of concrete, aerated concrete or masonry, with a minimum density of 650 kg/m <sup>3</sup> .  |
- 2) The supporting construction must be classified in accordance with EN 13501-2 for the required fire resistance period.
  - 3) The system Rockwool Firepro® Pipe Collar CE may be used to provide a penetration seal with specific combustible pipes, single only (for details see Annex A).
  - 4) Apertures in the separating element shall be maximum 10 mm diameter oversize with respect to the pipe diameter. The remaining annular space/gap shall be infilled with Rockwool Firepro® Pipe Collar CE. Apertures for the penetration of pipes shall be separated by a minimum of 200 mm.
  - 5) The provisions made in this European Technical Assessment are based on an assumed working life of the Rockwool Firepro® Pipe Collar CE of 10 years, The indications given on the working life cannot be interpreted as a guarantee given by the producer or the Technical Assessment Body, but are to be regarded only as a means for choosing the right products in relation to the expected economically reasonable working life of the works.
  - 6) Services in walls shall be supported at maximum 400mm from the face of the separating element for walls, and 400mm above the surface of the floor.

### 2.1 Use Category

Type X: Intended for use in conditions exposed to weathering.

### 3 Performance Of The Product And References To The Methods Used For Its Assessment

|  | Characteristic                  | Assessment of characteristic |
|--|---------------------------------|------------------------------|
| <b>BWR 2 Safety in case of fire</b>              |                                 |                              |
|  | Reaction to fire                | See clause 1.1               |
|  | Resistance to fire              | See clause 1.2               |
| <b>BWR 3 Hygiene, Health and the Environment</b> |                                 |                              |
|  | Release of dangerous substances | See clause 2.1               |
| <b>BWR 4 Safety in use</b>                       |                                 |                              |
|  | Durability and serviceability   | See clause 3.1               |

#### 3.1 Safety in case of fire

##### 3.1.1 Reaction to fire

Rockwool Firepro® Pipe Collar CE is classified **E** in accordance with EN 13501-1

##### 3.1.2 Resistance to fire

See Annex A

#### 3.2 Hygiene, Health and the Environment

##### 3.2.1 Release of dangerous substance

Category IA1, S/W3 Declaration of manufacturer

Rockwool Limited have presented a declaration that Rockwool Firepro® Pipe Collar CE release no dangerous substances in compliance with Council Directive 67/548/EEC of 1st June 2015 on the approximation of the laws, regulations and administrative provisions of the Member States relating to restrictions on the marketing and use of certain dangerous substances and preparations (incl. All amendments and adaptations).

The manufacturer declares that the product contains no dangerous substances according to current European and National regulations.

Rockwool Limited has submitted a written declaration that the product and/or constituents of the product contains no substances which have been classified as dangerous according to Directive 67/548/EEC and Regulation (EC) No. 1272/2008 and listed in the 'indicative list on dangerous substances' of the EGDS – taking into account the installation conditions of the construction product and the release scenarios resulting from there.

In addition to the specific clauses relating to dangerous substances contained in this European Technical Assessment, there may be other requirements applicable to the products falling within its scope (e.g. transposed European legislation and national laws, regulations and administrative provisions). In order to meet the provisions of the Construction Products Regulation, these requirements need also to be complied with, when and where they apply.

The use category of Rockwool Firepro® Pipe Collar CE in relation to BWR 3 (Hygiene, health and environment) is IA1, S/W3.

## **3.3 Safety in use**

### **3.3.1 Durability and serviceability**

Rockwool Firepro® Pipe Collar CE has been tested in accordance with EOTA Technical Report - TR024 – Edition November 2006, Fire Stopping and Fire Sealing Products-Penetration Seals for the type X, environmental conditions: Products for penetration seals intended for outdoor use exposed to weathering – rain, UV, high temperatures, frost and frost-thaw in winter.

#### **4. Assessment and Verification Of Constancy Of Performance (Hereinafter AVCP) System Applied, With References To Its Legal base**

According to the decision 1999/454/EC of the European Commission the system of assessment and verification of constancy of performance (see Annex V to the Regulation (EU) No 305/2011) given in the following table apply:

| <b>Products</b>                         | <b>Intended use/s</b>  | <b>AVCP System</b> |
|---|--|--------------------|
| Fire stopping and fire sealing products | For fire compartmentation and / or fire protection or fire performance | System 1           |

#### **5 Technical Details Necessary For The Implementation Of The AVCP System, As Provided For In The Applicable EAD.**

Technical details necessary for the implementation of the AVCP system are laid down in the control plan deposited at ETA-Danmark A/S prior to CE marking

Issued in Copenhagen on 2020-12-15 by



Thomas Bruun  
Managing Director, ETA-Danmark

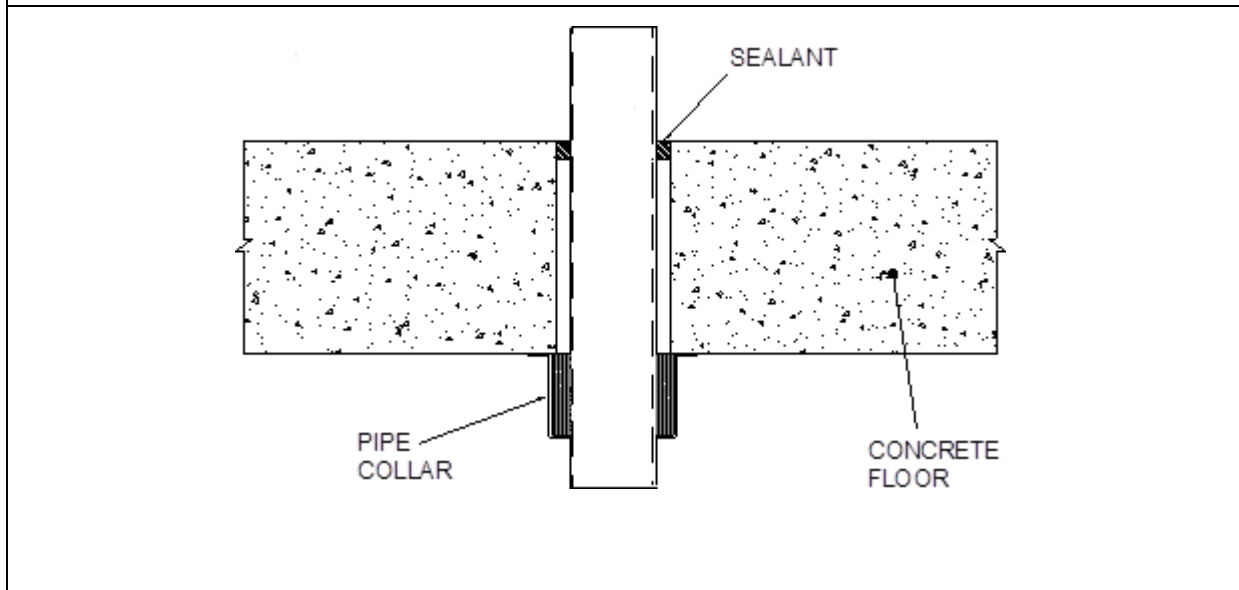
## Annex A

### Resistance to Fire Classification of Rockwool Firepro® Pipe Collar CE

#### A.1 Floor construction with thickness of minimum 150 mm

##### A.1.1 Penetration seal with Rockwool Firepro® Pipe Collar CE installed on the underside of rigid floor

Construction details: Combustible pipes installed with a single Rockwool Firepro® Pipe Collar CE to the underside. Maximum 10 mm annular space filled with FIREPRO® Acoustic Intumescent Sealant.





### A.1.1.1 PVC-U pipes with Rockwool Firepro® Pipe Collar CE installed on the underside of rigid floor

PVC-U pipes according to EN 1452 with Rockwool Firepro® Pipe Collar CE.

| Rockwool Firepro® Pipe Collar CE, Face Fixed on the Underside of Rigid Floor (min 150 mm thick)<br>PVC-U Pipes |   |                       |                    |  |                |
|--|---|-----------------------|--------------------|--|----------------|
| Penetration Specification  | Collar Reference                        | Intumescent Material  | Annulus Space (mm) | Collar Fixing  | Classification |
| PVC Pipe 32 mm $\varnothing$ 1.8 mm wall thickness   | 32 mm Rockwool Firepro® Pipe Collar CE  | 30 mm (W) x 4 mm (T)  | 10                 | Face fixed on the underside of rigid floor with 3No. Fischer FSA $\varnothing$ 8 x 60mm long, with M6 hexagon head bolts | EI 240 U/C     |
| PVC Pipe 40 mm $\varnothing$ 1.8 mm wall thickness   | 40 mm Rockwool Firepro® Pipe Collar CE  |                       |                    |  |                |
| PVC Pipe 50 mm $\varnothing$ 1.8 mm wall thickness   | 50 mm Rockwool Firepro® Pipe Collar CE  |                       |                    |  |                |
| PVC Pipe 55 mm $\varnothing$ 2.3-3.0 mm wall thickness   | 55 mm Rockwool Firepro® Pipe Collar CE  | 30 mm (W) x 6 mm (T)  |                    |  |                |
| PVC Pipe 63 mm $\varnothing$ 2.3-3.0 mm wall thickness   | 63 mm Rockwool Firepro® Pipe Collar CE  |                       |                    |  |                |
| PVC Pipe 75 mm $\varnothing$ 3.1-4.8 mm wall thickness   | 75 mm Rockwool Firepro® Pipe Collar CE  | 30 mm (W) x 8 mm (T)  |                    |  |                |
| PVC Pipe 82 mm $\varnothing$ 3.1-4.8 mm wall thickness   | 82 mm Rockwool Firepro® Pipe Collar CE  |                       |                    |  |                |
| PVC Pipe 90 mm $\varnothing$ 4.2-7.4 mm wall thickness   | 90 mm Rockwool Firepro® Pipe Collar CE  | 30 mm (W) x 10 mm (T) |                    |  |                |
| PVC Pipe 100 mm $\varnothing$ 4.2-7.4 mm wall thickness  | 100 mm Rockwool Firepro® Pipe Collar CE |                       |                    |  |                |
| PVC Pipe 110 mm $\varnothing$ 4.2-7.4 mm wall thickness  | 110 mm Rockwool Firepro® Pipe Collar CE |                       |                    |  |                |
| PVC Pipe 125 mm $\varnothing$ 6.0 mm wall thickness  | 125 mm Rockwool Firepro® Pipe Collar CE | 40 mm (W) x 12 mm (T) |                    |  |                |
| PVC Pipe 140 mm $\varnothing$ 6.1-7.5 mm wall thickness  | 140 mm Rockwool Firepro® Pipe Collar CE | 40 mm (W) x 16 mm (T) |                    |  |                |
| PVC Pipe 160 mm $\varnothing$ 6.2-9.5 mm wall thickness  | 160 mm Rockwool Firepro® Pipe Collar CE | 40 mm (W) x 18 mm (T) |                    |  |                |

### A.1.1.2 PP pipes with Rockwool Firepro® Pipe Collar CE installed on the underside of rigid floor

PP pipes according to EN 1451 with Rockwool Firepro® Pipe Collar CE.

| Rockwool Firepro® Pipe Collar CE, Face Fixed on the Underside of Rigid Floor (min 150 mm thick) |   |                       |                    |  |                |
|---|---|-----------------------|--------------------|--|----------------|
| PP Pipes  |   |                       |                    |  |                |
| Penetration Specification   | Collar Reference                        | Intumescent Material  | Annulus Space (mm) | Collar Fixing  | Classification |
| PP Pipe 32 mm $\varnothing$ 2.9 mm wall thickness   | 32 mm Rockwool Firepro® Pipe Collar CE  | 30 mm (W) x 4 mm (T)  | 10                 | Face fixed on the underside of rigid floor with 3No. Fischer FSA $\varnothing$ 8 x 60mm long, with M6 hexagon head bolts | EI 240 U/C     |
| PP Pipe 40 mm $\varnothing$ 2.9 mm wall thickness   | 40 mm Rockwool Firepro® Pipe Collar CE  |                       |                    |  |                |
| PP Pipe 50 mm $\varnothing$ 2.9 mm wall thickness   | 50 mm Rockwool Firepro® Pipe Collar CE  |                       |                    |  |                |
| PP Pipe 55 mm $\varnothing$ 2.9-4.4 mm wall thickness   | 55 mm Rockwool Firepro® Pipe Collar CE  | 30 mm (W) x 6 mm (T)  |                    |  |                |
| PP Pipe 63 mm $\varnothing$ 2.9-4.4 mm wall thickness   | 63 mm Rockwool Firepro® Pipe Collar CE  |                       |                    |  |                |
| PP Pipe 75 mm $\varnothing$ 2.8-6.7 mm wall thickness   | 75 mm Rockwool Firepro® Pipe Collar CE  | 30 mm (W) x 8 mm (T)  |                    |  |                |
| PP Pipe 82 mm $\varnothing$ 2.8-6.7 mm wall thickness   | 82 mm Rockwool Firepro® Pipe Collar CE  |                       |                    |  |                |
| PP Pipe 90 mm $\varnothing$ 2.7-10.0 mm wall thickness  | 90 mm Rockwool Firepro® Pipe Collar CE  | 30 mm (W) x 10 mm (T) |                    |  |                |
| PP Pipe 100 mm $\varnothing$ 2.7-10.0 mm wall thickness   | 100 mm Rockwool Firepro® Pipe Collar CE |                       |                    |  |                |
| PP Pipe 110 mm $\varnothing$ 2.7-10.0 mm wall thickness   | 110 mm Rockwool Firepro® Pipe Collar CE |                       |                    |  |                |
| PP Pipe 125 mm $\varnothing$ 3.1 mm wall thickness  | 125 mm Rockwool Firepro® Pipe Collar CE | 40 mm (W) x 12 mm (T) |                    |  |                |
| PP Pipe 140 mm $\varnothing$ 3.5-8.0 mm wall thickness  | 140 mm Rockwool Firepro® Pipe Collar CE | 40 mm (W) x 16 mm (T) |                    |  |                |
| PP Pipe 160 mm $\varnothing$ 4.0-14.6 mm wall thickness   | 160 mm Rockwool Firepro® Pipe Collar CE | 40 mm (W) x 18 mm (T) |                    |  |                |

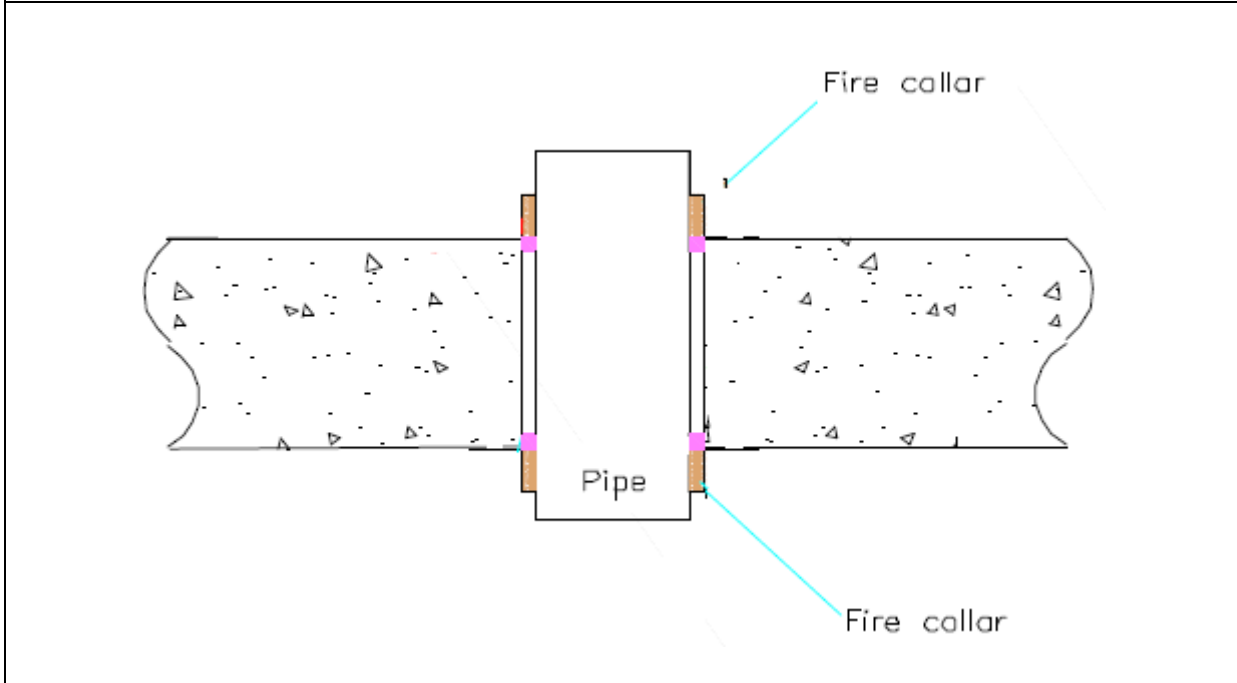
### A1.1.3 PE pipes with Rockwool Firepro® Pipe Collar CE installed on the underside of rigid floor

PE pipes according to EN ISO 15494 with Rockwool Firepro® Pipe Collar CE.

| Rockwool Firepro® Pipe Collar CE, Face Fixed on the Underside of Rigid Floor (min 150 mm thick) |   |                       |                    |  |                |
|---|---|-----------------------|--------------------|--|----------------|
| PE Pipes  |   |                       |                    |  |                |
| Penetration Specification   | Collar Reference                        | Intumescent Material  | Annulus Space (mm) | Collar Fixing  | Classification |
| PE Pipe 32 mm $\varnothing$ 2.9 mm wall thickness   | 32 mm Rockwool Firepro® Pipe Collar CE  | 30 mm (W) x 4 mm (T)  | 10                 | Face fixed on the underside of rigid floor with 3No. Fischer FSA $\varnothing$ 8 x 60mm long, with M6 hexagon head bolts | EI 240 U/C     |
| PE Pipe 40 mm $\varnothing$ 2.9 mm wall thickness   | 40 mm Rockwool Firepro® Pipe Collar CE  |                       |                    |  |                |
| PE Pipe 50 mm $\varnothing$ 2.9 mm wall thickness   | 50 mm Rockwool Firepro® Pipe Collar CE  |                       |                    |  |                |
| PE Pipe 55 mm $\varnothing$ 2.9-4.4 mm wall thickness   | 55 mm Rockwool Firepro® Pipe Collar CE  | 30 mm (W) x 6 mm (T)  |                    |  |                |
| PE Pipe 63 mm $\varnothing$ 2.9-4.4 mm wall thickness   | 63 mm Rockwool Firepro® Pipe Collar CE  |                       |                    |  |                |
| PE Pipe 75 mm $\varnothing$ 2.8-6.7 mm wall thickness   | 75 mm Rockwool Firepro® Pipe Collar CE  | 30 mm (W) x 8 mm (T)  |                    |  |                |
| PE Pipe 82 mm $\varnothing$ 2.8-6.7 mm wall thickness   | 82 mm Rockwool Firepro® Pipe Collar CE  |                       |                    |  |                |
| PE Pipe 90 mm $\varnothing$ 2.7-10.0 mm wall thickness  | 90 mm Rockwool Firepro® Pipe Collar CE  | 30 mm (W) x 10 mm (T) |                    |  |                |
| PE Pipe 100 mm $\varnothing$ 2.7-10.0 mm wall thickness   | 100 mm Rockwool Firepro® Pipe Collar CE |                       |                    |  |                |
| PE Pipe 110 mm $\varnothing$ 2.7-10.0 mm wall thickness   | 110 mm Rockwool Firepro® Pipe Collar CE |                       |                    |  |                |
| PE Pipe 125 mm $\varnothing$ 3.1 mm wall thickness  | 125 mm Rockwool Firepro® Pipe Collar CE | 40 mm (W) x 12 mm (T) |                    |  |                |
| PE Pipe 140 mm $\varnothing$ 3.9-5.8 mm wall thickness  | 140 mm Rockwool Firepro® Pipe Collar CE | 40 mm (W) x 16 mm (T) |                    |  |                |
| PE Pipe 160 mm $\varnothing$ 4.9-9.5 mm wall thickness  | 160 mm Rockwool Firepro® Pipe Collar CE | 40 mm (W) x 18 mm (T) |                    |  |                |

### A.1.2 Penetration seal with Rockwool Firepro® Pipe Collar CE installed on both sides of rigid floor

Construction details: Combustible pipes installed with a single Rockwool Firepro® Pipe Collar CE to both sides. Maximum 10 mm annular space filled with FIREPRO® Acoustic Intumescent Sealant.



#### A.1.2.1 Penetration seal with Rockwool Firepro® Pipe Collar CE installed on both sides of rigid floor

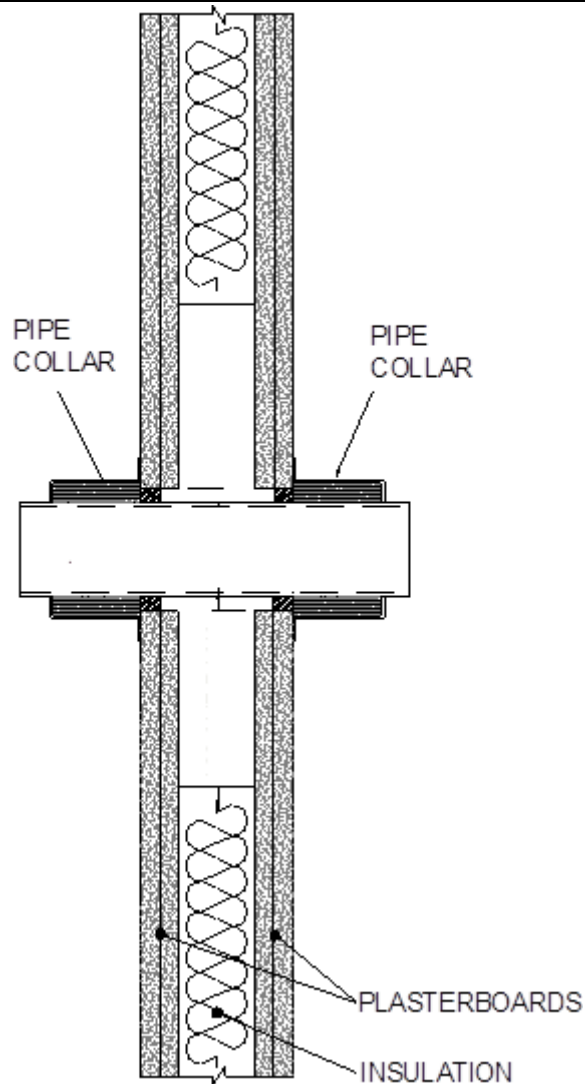
PP pipes according to EN 1451 with Rockwool Firepro® Pipe Collar CE.

| Rockwool Firepro® Pipe Collar CE, Face Fixed on Both Sides of Rigid Floor (min 150 mm thick)<br>PP Pipes |   |                       |                    |   |                |
|--|---|-----------------------|--------------------|---|----------------|
| Penetration Specification  | Collar Reference                        | Intumescent Material  | Annulus Space (mm) | Collar Fixing   | Classification |
| PP Pipe 110 mm $\phi$ 2.7 mm wall thickness  | 110 mm Rockwool Firepro® Pipe Collar CE | 30 mm (W) x 10 mm (T) | 10                 | Fixed on both faces of rigid floor with 3No. Fischer FSA $\phi$ 8 x 60mm long, with M6 hexagon head bolts | EI 120 U/U     |
| PP Pipe 160 mm $\phi$ 4.0 mm wall thickness  | 160 mm Rockwool Firepro® Pipe Collar CE | 40 mm (W) x 16 mm (T) |                    |   | EI 120 C/U     |

## A.2 Wall construction with thickness of minimum 100 mm

### A.2.1 Penetration seal with Rockwool Firepro® Pipe Collar CE installed on both sides of flexible or rigid wall

Construction details: Combustible pipes installed with a single Rockwool Firepro® Pipe Collar CE to both sides. Maximum 10 mm annular space filled with FIREPRO® Acoustic Intumescent Sealant.



### A.2.1.1 PVC-U pipes with Rockwool Firepro® Pipe Collar CE installed on both sides of flexible or rigid wall

PVC-U pipes according to EN 1452 with Rockwool Firepro® Pipe Collar CE.

| Rockwool Firepro® Pipe Collar CE, Face Fixed on Both Sides of Flexible or Rigid Wall (min 100 mm thick)<br>PVC-U Pipes |   |                       |                    |  |                |
|--|---|-----------------------|--------------------|--|----------------|
| Penetration Specification  | Collar Reference                        | Intumescent Material  | Annulus Space (mm) | Collar Fixing  | Classification |
| PVC Pipe 32 mm ø 1.8 mm wall thickness   | 32 mm Rockwool Firepro® Pipe Collar CE  | 30 mm (W) x 4 mm (T)  | 10                 | Fixed on both sides of the wall with a 6mm x 65mm long Fisher HM 6x65 S, steel toggle anchor | EI 120 U/C     |
| PVC Pipe 40 mm ø 1.8 mm wall thickness   | 40 mm Rockwool Firepro® Pipe Collar CE  |                       |                    |  |                |
| PVC Pipe 50 mm ø 1.8 mm wall thickness   | 50 mm Rockwool Firepro® Pipe Collar CE  |                       |                    |  |                |
| PVC Pipe 55 mm ø 2.3-3.0 mm wall thickness   | 55 mm Rockwool Firepro® Pipe Collar CE  | 30 mm (W) x 6 mm (T)  |                    |  |                |
| PVC Pipe 63 mm ø 2.3-3.0 mm wall thickness   | 63 mm Rockwool Firepro® Pipe Collar CE  |                       |                    |  |                |
| PVC Pipe 75 mm ø 3.1-4.8 mm wall thickness   | 75 mm Rockwool Firepro® Pipe Collar CE  | 30 mm (W) x 8 mm (T)  |                    |  |                |
| PVC Pipe 82 mm ø 3.1-4.8 mm wall thickness   | 82 mm Rockwool Firepro® Pipe Collar CE  |                       |                    |  |                |
| PVC Pipe 90 mm ø 4.2-7.4 mm wall thickness   | 90 mm Rockwool Firepro® Pipe Collar CE  | 30 mm (W) x 10 mm (T) |                    |  |                |
| PVC Pipe 100 mm ø 4.2-7.4 mm wall thickness  | 100 mm Rockwool Firepro® Pipe Collar CE |                       |                    |  |                |
| PVC Pipe 110 mm ø 4.2-7.4 mm wall thickness  | 110 mm Rockwool Firepro® Pipe Collar CE |                       |                    |  |                |
| PVC Pipe 125 mm ø 6.0 mm wall thickness  | 125 mm Rockwool Firepro® Pipe Collar CE | 40 mm (W) x 12 mm (T) |                    |  |                |
| PVC Pipe 140 mm ø 6.1-7.5 mm wall thickness  | 140 mm Rockwool Firepro® Pipe Collar CE | 40 mm (W) x 16 mm (T) |                    |  |                |
| PVC Pipe 160 mm ø 6.2-9.5 mm wall thickness  | 160 mm Rockwool Firepro® Pipe Collar CE | 40 mm (W) x 18 mm (T) |                    |  |                |

### A.2.1.2 PP pipes with Rockwool Firepro® Pipe Collar CE installed on both sides of flexible or rigid wall

PP pipes according to EN 1451 with Rockwool Firepro® Pipe Collar CE.

| Rockwool Firepro® Pipe Collar CE, Face Fixed on Both Sides of Flexible or Rigid Wall (min 100 mm thick) |   |                       |                    |  |                |
|---|---|-----------------------|--------------------|--|----------------|
| PP Pipes  |   |                       |                    |  |                |
| Penetration Specification   | Collar Reference                        | Intumescent Material  | Annulus Space (mm) | Collar Fixing  | Classification |
| PP Pipe 32 mm $\phi$ 2.9 mm wall thickness  | 32 mm Rockwool Firepro® Pipe Collar CE  | 30 mm (W) x 4 mm (T)  | 10                 | Fixed on both sides of the wall with a 6mm x 65mm long Fisher HM 6x65 S, steel toggle anchor | EI 120 U/C     |
| PP Pipe 40 mm $\phi$ 2.9 mm wall thickness  | 40 mm Rockwool Firepro® Pipe Collar CE  |                       |                    |  |                |
| PP Pipe 50 mm $\phi$ 2.9 mm wall thickness  | 50 mm Rockwool Firepro® Pipe Collar CE  |                       |                    |  |                |
| PP Pipe 55 mm $\phi$ 2.9-4.4 mm wall thickness  | 55 mm Rockwool Firepro® Pipe Collar CE  | 30 mm (W) x 6 mm (T)  |                    |  |                |
| PP Pipe 63 mm $\phi$ 2.9-4.4 mm wall thickness  | 63 mm Rockwool Firepro® Pipe Collar CE  |                       |                    |  |                |
| PP Pipe 75 mm $\phi$ 2.8-6.7 mm wall thickness  | 75 mm Rockwool Firepro® Pipe Collar CE  | 30 mm (W) x 8 mm (T)  |                    |  |                |
| PP Pipe 82 mm $\phi$ 2.8-6.7 mm wall thickness  | 82 mm Rockwool Firepro® Pipe Collar CE  |                       |                    |  |                |
| PP Pipe 90 mm $\phi$ 2.7-10.0 mm wall thickness   | 90 mm Rockwool Firepro® Pipe Collar CE  | 30 mm (W) x 10 mm (T) |                    |  |                |
| PP Pipe 100 mm $\phi$ 2.7-10.0 mm wall thickness  | 100 mm Rockwool Firepro® Pipe Collar CE |                       |                    |  |                |
| PP Pipe 110 mm $\phi$ 2.7-10.0 mm wall thickness  | 110 mm Rockwool Firepro® Pipe Collar CE |                       |                    |  |                |
| PP Pipe 125 mm $\phi$ 3.1 mm wall thickness   | 125 mm Rockwool Firepro® Pipe Collar CE | 40 mm (W) x 12 mm (T) |                    |  |                |
| PP Pipe 140 mm $\phi$ 3.5-8.0 mm wall thickness   | 140 mm Rockwool Firepro® Pipe Collar CE | 40 mm (W) x 16 mm (T) |                    |  |                |
| PP Pipe 160 mm $\phi$ 4.0-14.6 mm wall thickness  | 160 mm Rockwool Firepro® Pipe Collar CE | 40 mm (W) x 18 mm (T) |                    |  |                |

### A.2.1.3 PE pipes with Rockwool Firepro® Pipe Collar CE installed on both sides of flexible or rigid wall

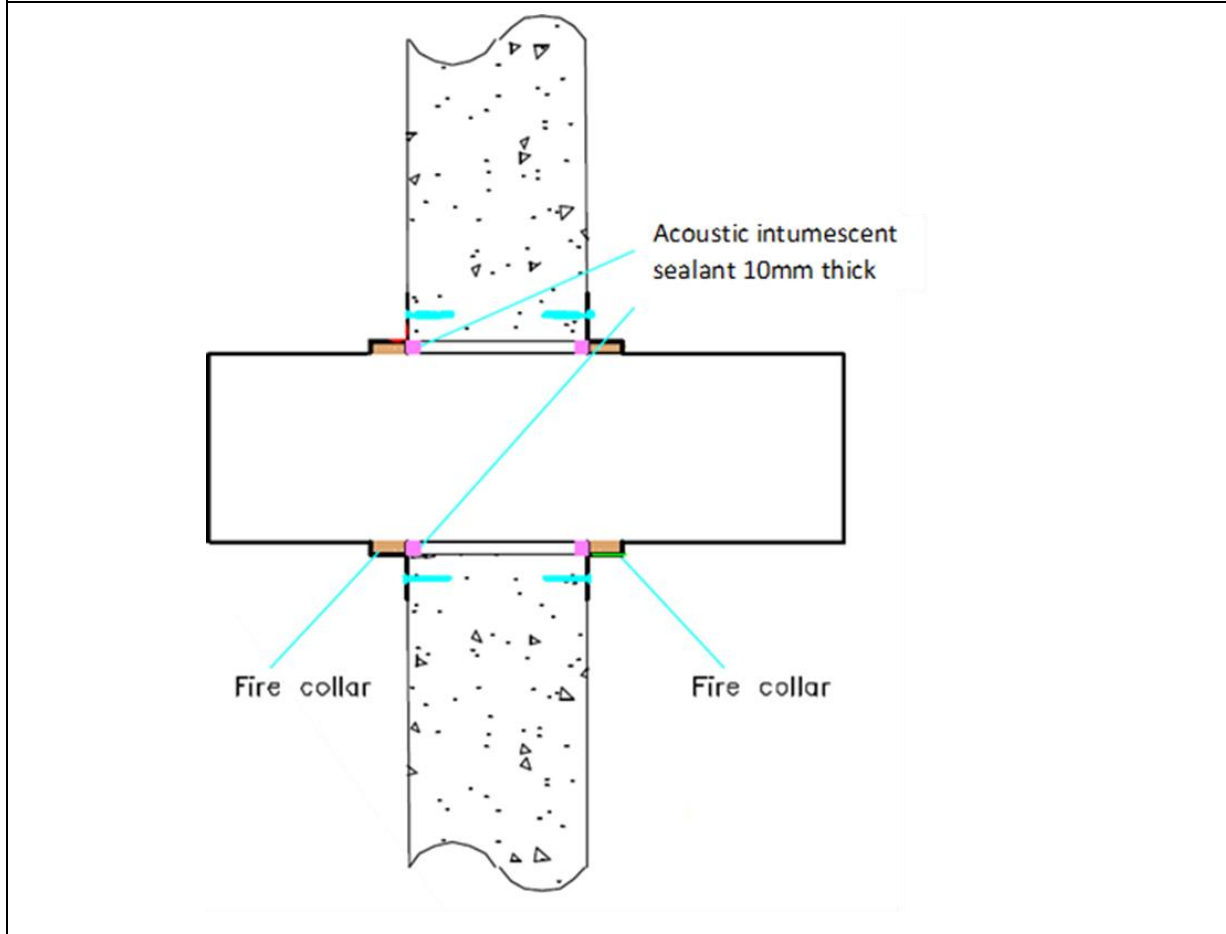
PE pipes according to EN ISO 15494 with Rockwool Firepro® Pipe Collar CE.

| Rockwool Firepro® Pipe Collar CE, Face Fixed on Both Sides of Flexible or Rigid Wall (min 100 mm thick)<br>PE Pipes |   |                       |                    |  |                |
|---|---|-----------------------|--------------------|--|----------------|
| Penetration Specification   | Collar Reference                        | Intumescent Material  | Annulus Space (mm) | Collar Fixing  | Classification |
| PE Pipe 32 mm ø 2.9 mm wall thickness   | 32 mm Rockwool Firepro® Pipe Collar CE  | 30 mm (W) x 4 mm (T)  | 10                 | Fixed on both sides of the wall with a 6mm x 65mm long Fisher HM 6x65 S, steel toggle anchor | EI 120 U/C     |
| PE Pipe 40 mm ø 2.9 mm wall thickness   | 40 mm Rockwool Firepro® Pipe Collar CE  |                       |                    |  |                |
| PE Pipe 50 mm ø 2.9 mm wall thickness   | 50 mm Rockwool Firepro® Pipe Collar CE  |                       |                    |  |                |
| PE Pipe 55 mm ø 2.9-4.4 mm wall thickness   | 55 mm Rockwool Firepro® Pipe Collar CE  | 30 mm (W) x 6 mm (T)  |                    |  |                |
| PE Pipe 63 mm ø 2.9-4.4 mm wall thickness   | 63 mm Rockwool Firepro® Pipe Collar CE  |                       |                    |  |                |
| PE Pipe 75 mm ø 2.8-6.7 mm wall thickness   | 75 mm Rockwool Firepro® Pipe Collar CE  | 30 mm (W) x 8 mm (T)  |                    |  |                |
| PE Pipe 82 mm ø 2.8-6.7 mm wall thickness   | 82 mm Rockwool Firepro® Pipe Collar CE  |                       |                    |  |                |
| PE Pipe 90 mm ø 2.7-10.0 mm wall thickness  | 90 mm Rockwool Firepro® Pipe Collar CE  | 30 mm (W) x 10 mm (T) |                    |  |                |
| PE Pipe 100 mm ø 2.7-10.0 mm wall thickness   | 100 mm Rockwool Firepro® Pipe Collar CE |                       |                    |  |                |
| PE Pipe 110 mm ø 2.7-10.0 mm wall thickness   | 110 mm Rockwool Firepro® Pipe Collar CE |                       |                    |  |                |
| PE Pipe 125 mm ø 3.1 mm wall thickness  | 125 mm Rockwool Firepro® Pipe Collar CE | 40 mm (W) x 12 mm (T) |                    |  |                |
| PE Pipe 140 mm ø 3.9-5.8 mm wall thickness  | 140 mm Rockwool Firepro® Pipe Collar CE | 40 mm (W) x 16 mm (T) |                    |  |                |
| PE Pipe 160 mm ø 4.9-9.5 mm wall thickness  | 160 mm Rockwool Firepro® Pipe Collar CE | 40 mm (W) x 18 mm (T) |                    |  |                |



### A.2.2 Penetration seal with Rockwool Firepro® Pipe Collar CE installed on both sides of rigid wall

Construction details: Combustible pipes installed with a single Rockwool Firepro® Pipe Collar CE to both sides. Maximum 10 mm annular space filled with FIREPRO® Acoustic Intumescent Sealant.



#### A.2.2.1 PP pipes with Rockwool Firepro® Pipe Collar CE installed on both sides of rigid wall

PP pipes according to EN 1451 with Rockwool Firepro® Pipe Collar CE.

| Rockwool Firepro® Pipe Collar CE, Face Fixed on Both Sides of Rigid Wall (min 100 mm thick)<br>PP Pipes |   |                       |                    |   |                |
|---|---|-----------------------|--------------------|---|----------------|
| Penetration Specification   | Collar Reference                        | Intumescent Material  | Annulus Space (mm) | Collar Fixing   | Classification |
| PP Pipe 110 mm $\phi$ 2.7 mm wall thickness   | 110 mm Rockwool Firepro® Pipe Collar CE | 30 mm (W) x 10 mm (T) | 10                 | Fixed on both faces of the wall with 3No. 40mm Fischer pins                             | EI 120 U/U     |
| PP Pipe 160 mm $\phi$ 4.0 mm wall thickness   | 160 mm Rockwool Firepro® Pipe Collar CE | 40 mm (W) x 18 mm (T) |                    | Fixed on both faces of the wall with 3No. $\phi$ 4 x 70mm wood screws and penny washers | EI 120 U/U     |
| PP Pipe 250 mm $\phi$ 6.2 mm wall thickness   | 250 mm Rockwool Firepro® Pipe Collar CE | 40 mm (W) x 24 mm (T) |                    | EI 120 U/C  |                |